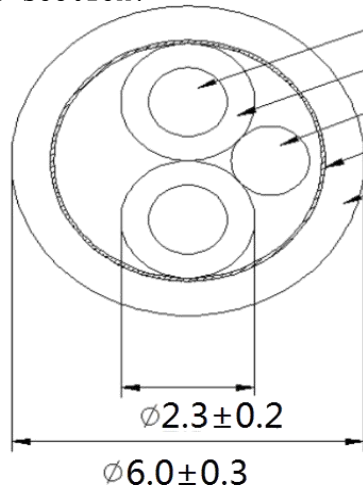


Specification

File No.: LLT6366-2019101002

Cross section:



Conductor:solid bare copper

Inner wire:brown,blue(PVC)

Drain:tinned copper

Wrapping:Al-foil

Jacket:red(PVC)

Printing content: **LLT** **E502147** **"LISTED"** FPLR Power-limited Fire Alarm Cable 2C x 1.5 MM2 (16AWG) Shielded 100M

Black word!

Model	UL FPLR 2×1.5MM ²
conductor	1.5mm ² solid bare copper
insulation thickness	0.45 mm
Min insulation thickness	0.38 mm
inner wire	brown, blue (flame retardant PVC)
wire numbers	2 core
drain	0.8mm tinned copper
wrapping	Al-foil
jacket	red (flame retardant PVC)
OD	6.0±0.3 mm
jacket thickness	0.74 mm
Min jacket thickness	0.65 mm
rated temperature	105°C
voltage resistance	AC: 2500V/2S, no breakdown
flame retardant rating	VW-1
application	fire alarm systems

Confirm by customer	
---------------------	--

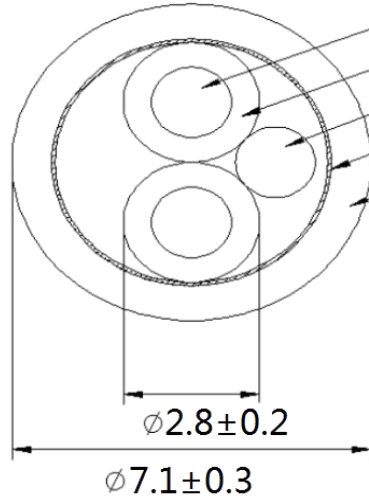
Draftman	Aduitor	Approval
Xiaoqing Li 10-10-19	Yuwei 10-10-19	Yumei Zhao 10-10-19

Shenzhen Lilutong Technology&Industry Co.,Ltd

Specification

File No. : LLT6300-2019101001

Cross section:



- Conductor:solid bare copper
- Inner wire:brown,blue(PVC)
- Drain:tinned copper
- Wrapping:Al-foil
- Jacket:red(PVC)

Printing content: **LLT** (R) **E502147** (UL) "LISTED" FPLR Power-limited Fire Alarm Cable 2C x 2.5 MM2 (14AWG) Shielded 100M

Black word!

Model	UL FPLR 2×2.5MM ²
conductor	2.5mm ² solid bare copper
insulation thickness	0.53 mm
Min insulation thickness	0.46 mm
inner wire	brown, blue(flame retardant PVC)
wire numbers	2 core
drain	0.8mm tinned copper
wrapping	Al-foil
jacket	red(flame retardant PVC)
OD	7.1±0.3mm
jacket thickness	0.74mm
Min jacket thickness	0.65mm
rated temperature	105℃
voltage resistant	AC: 2500V/2S, no breakdown
flame retardant rating	VW-1
application	fire alarm systems

Confirm by customer	
---------------------	--

Draftman	Aduitor	Approval
Xiaoqing Li	Yuwei	Yumei Zhao
10-10-19	10-10-19	10-10-19

Shenzhen Lilutong Technology&Industry Co.,Ltd